



## Company Profile



# List of Contents

**01** Introduction

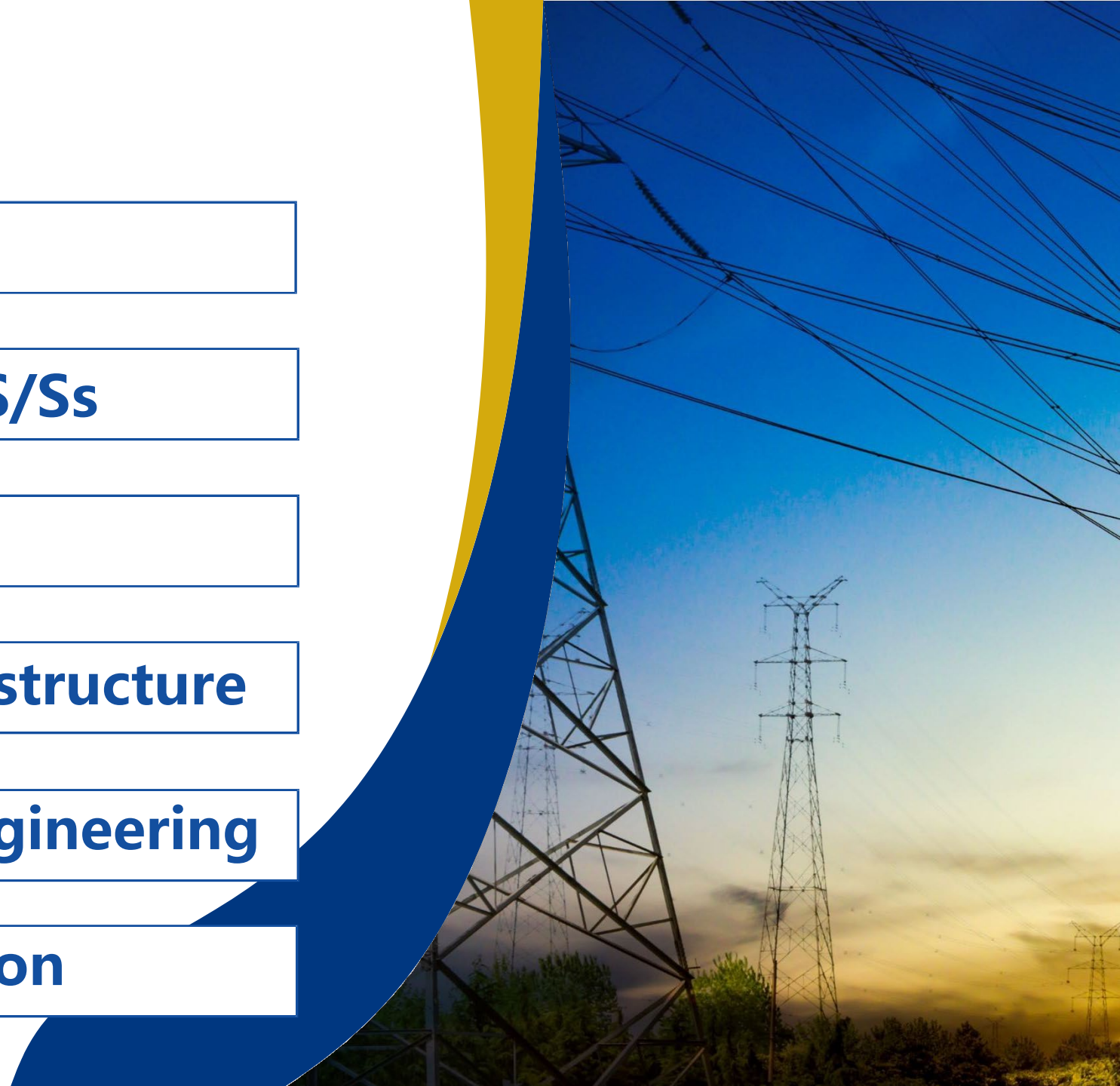
**02** Solutions for HV S/Ss

**03** PV Power Plants

**04** Elect & Com Infrastructure

**05** Consultancy & Engineering

**06** Contact Information



# 01

## Introduction



# Introducing Asea

**Asea is a professional engineering consultancy and contracting company specialized in the fields of High Voltage Substations, PV Solar Plants, and Electrical & Communication Infrastructure.**

**With offices in Egypt and UAE, we provide high-quality engineering services, consultation, and innovative solutions for High Voltage Switchgear, Substation Protection & Control Systems, SCADA Systems, and Utility Communication.**

# Introducing Asea

**We provide highest quality of services and solutions to ensure successful and timely completion of projects. We understand the challenges unique to the utility market and differentiate ourselves in our ability to offer tailor-made solutions in line with exact customers needs and technical requirements.**

# Management Team

- ***CEO & Managing Director***

Medhat Yassin, 30+ years of experience in High Voltage Substations

- ***General Manager***

Mary Wagdi, 20+ years of experience in High Voltage Substations

- ***Engineering Manager***

Abdallah El Samny, 20+ years of experience in SCADA & Automation

- ***Projects and Site Manager***

Mohamed Mahmoud

- ***Operations Health & Safety***

Khaled Konsowa

# 02

## Solutions for High Voltage Substations



# What We Offer

- **Asea** is a prominent provider of high-quality, precision-engineered repairing services for all types of high voltage Gas Insulated Switchgear (GIS) and Air insulated Switchgear (AIS)
- Modernization solutions include conversions, replacements and retrofits
- Partnership with Tenyen China equipped with the most modern machineries and Testing Facilities that conform to International standards, **Asea** has a competitive edge in repair and overhaul services

# Extension / Modification of Existing High Voltage GIS Switchgear

- Extension of any type of existing HV GIS Switchgear
- Custom-made adaptation panels with precise measurements to interface between the old and new GIS bays
- Modification on existing GIS Busducts including steel structure and supports
- Design and Manufacturing of new GIS Busducts
- Turnkey solutions including modification of local control circuits, integration in existing substation protection and control schemes

# Modernization & Retrofit for High Voltage Circuit Breakers

Manufacturing and reconditioning all type of Circuit Breakers Mechanisms.

- **Replacing Air Pneumatic, Hydraulic and Problematic Spring Charged Mechanisms in GIS Substations with:**
  - Spring Charged Mechanisms
  - Hybrid Spring Hydraulic Mechanisms
- **Turnkey Solution Including Modification of the Substation Control System for the New Mechanisms**

Depending on the existing substation installation, the mechanisms can be supplied Vertical or Horizontal

and can be installed within the existing space of the old mechanism (extended type) or can be supplied in a standalone enclosure (integrated type)



Extended type



Integrated type

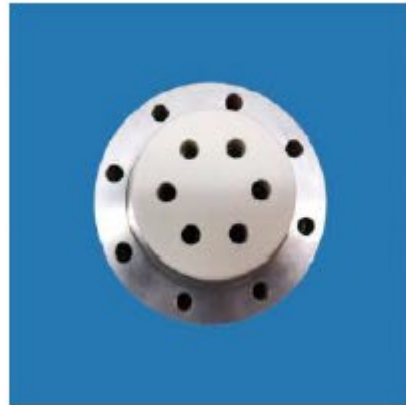
# Replacing Insulating Rods in AIS & GIS CBs

- Design and Manufacturing of High Voltage Operating Insulators For Voltage Levels up to 1100KV
- Turnkey Solution
- Dismantling the Circuit Breaker
- Replacement of the Insulator Rods
- Testing and Putting into service



# GIS PD Monitoring System

- Partial Discharge Sensors can be added to old GIS switchgears supplied without PD sensors or to replace old systems
- Complete with State-of-the-art Analysis Software



# Testing & Commissioning Services

- **Asea** offers professional expertise in Installation, Site Testing and commissioning services for electrical power systems and PV Solar power plants of various voltage levels up to 500kV.
- With a very strong team of experienced engineers and technicians, Asea caters to various types of power systems.
- With key experience in the testing and commissioning of GIS switchgears, power transformers, protection and control systems, substation auxiliary equipment and fiber optic cable splicing, Asea is committed to provide benchmark services to its clients
- We pride ourselves for providing good quality service with maintaining all safety & healthy precautions according to environmental conditions.

# 03

## PV Power Plants



# What We Offer



## 01 *Supply of Specialized Systems*

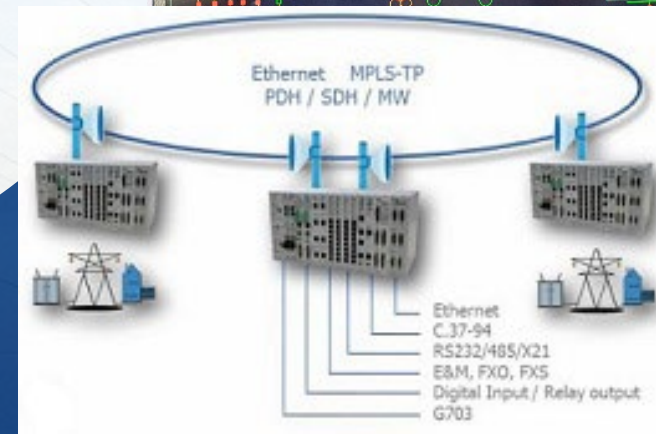
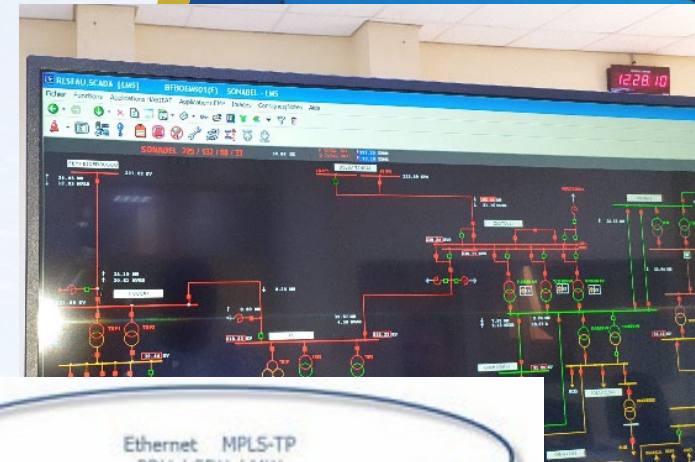
- PV SCADA Systems including PPC Controllers
- BESS Control System
- Weather Stations
- Communication Systems
- SCADA Systems Cyber Security



# What We Offer

## 02 *Integration and Configuration Services*

- System Engineering, Configuration and Programming of PV SCADA System, PPC Controllers, BESS Control
- Integration of all plant equipment with wide range of protocols to function as one system (ex. PV inverters, protection relays, trackers, etc)
- Full integration of plant data in the Utility Control Centers (Load Dispatch Centers, National and Regional Control Centers)
- Integration of plant communication system with the existing high voltage utility network

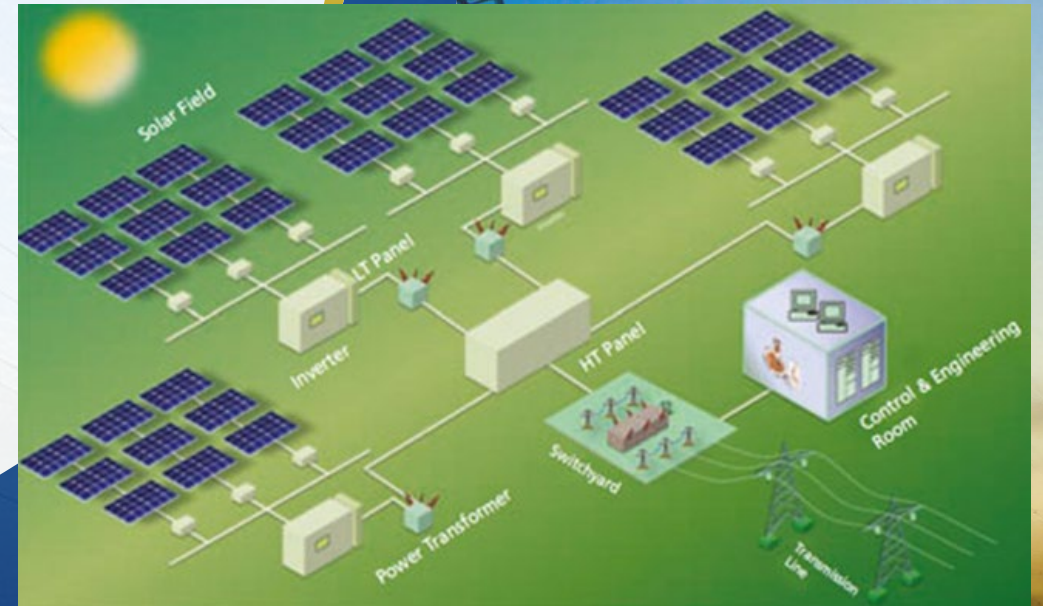


# What We Offer



## 03 *Testing & Commissioning Services*

- Local Testing of the Control and Monitoring Systems with each of the plant components
- Testing with remote-end substations
- End-to-End testing up to control center
- Post event support and Round the clock support



# 04

## Electrical & Communication Infrastructure



# Railways Applications

- Supply, Installation and Commissioning of Decentralized Systems for Voice and Data transmission between Stations, Signal Blocks and Level Crossings

# Smart Cities Applications

- SCADA and AMR Systems for Smart Cities
- Supply and Configuration of RTUs, Network Equipment, Sensors for Power Distribution Buildings, Transformer Buildings, and Water Stations
- All adaptation works of control and network cables, laying and termination between RTU panels and all equipment
- Supply of all needed raceways, conduits, etc

# 05

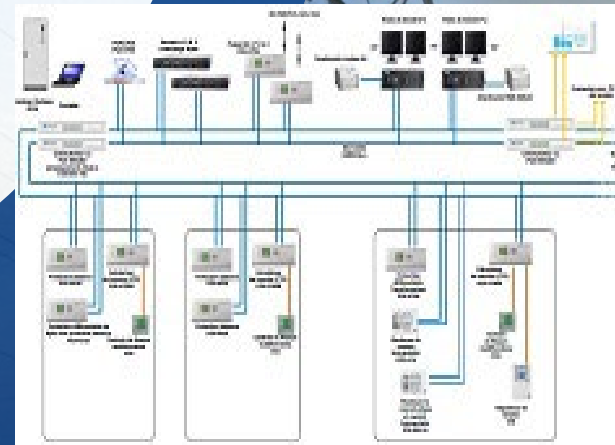
## Consultancy & Engineering Services



# Engineering & Consultancy Services

## 01 Consultation

- High-quality consultancy to Substation contractors, in addition to assistance in obtaining required utility and utility consultant approvals.
- Preparation of Detailed Bill of Materials which allows customers to easily purchase the required system components
- Provide consultation on recommended suppliers and technical evaluation of the received quotations to ensure that the products will function according to the requirements
- Consultancy during Site Activities to achieve the project targets and customer satisfaction



# Engineering & Consultancy Services



- Specific solutions according to customer requirement and country specific grid codes
- Flexibility to design systems according to customer preferred product suppliers
- Designed specifically for mission critical applications

# 06

## Contact Information



## ***ASEA – EGYPT***

***Headquarter Address: 58 Abdallah Abu El Seoud, Heliopolis, Cairo***

***Branch Address: Cairo Complex, Ankara St., Sheraton Heliopolis, Cairo***

***Registration No. 425699***

***Tax Card No. 726-191-280***

## ***ASEA – UAE***

***Address: Sharjah Media City, Sharjah***

***Registration No. 2428119***

***Tax Card No. 104770801900001***

# Sister Companies

***KAMS for Engineering & Contracting***

***Oil & Gas Business***



***Hayatco***

***Import & Export Business***

**حياتكو**

# Business Partner

***Tenyen, China***  
***Manufacturing Facility***



# Contact Information

**Sales Email:** [sales@asea-eg.com](mailto:sales@asea-eg.com)

**Company website:** [www.asea-eg.com](http://www.asea-eg.com)

**Managing Director** **Medhat Mohamed Yassin**

**Email:** [medhat.yassin@asea-eg.com](mailto:medhat.yassin@asea-eg.com)

**Tel No:** **+2 010 2239 6599**

**+2 011 5146 1514**

**+971 5225 00410**

**Sales Director** **Mary Wagdi**

**Email:** [mary.wagdi@asea-eg.com](mailto:mary.wagdi@asea-eg.com)

**Tel No:** **+2 011 1174 0856**



Thanks for watching!

To provide first-class power and electrical products and services to global customers, and become an important participant and contributor in building power security

[www.asea-eg.com](http://www.asea-eg.com)